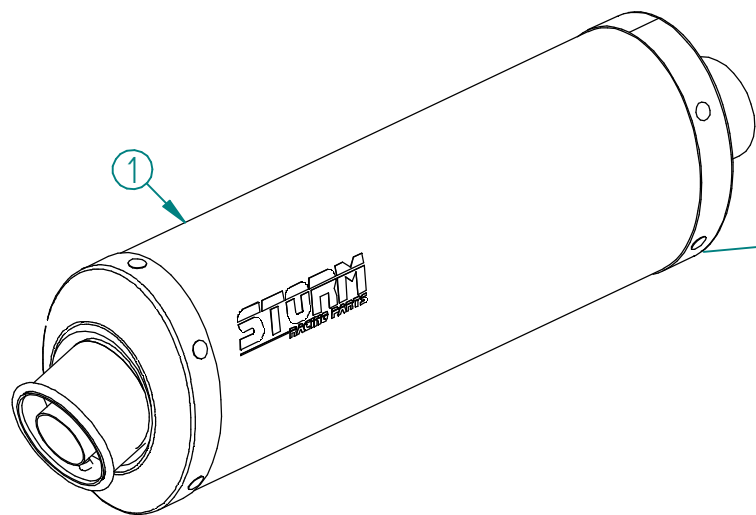
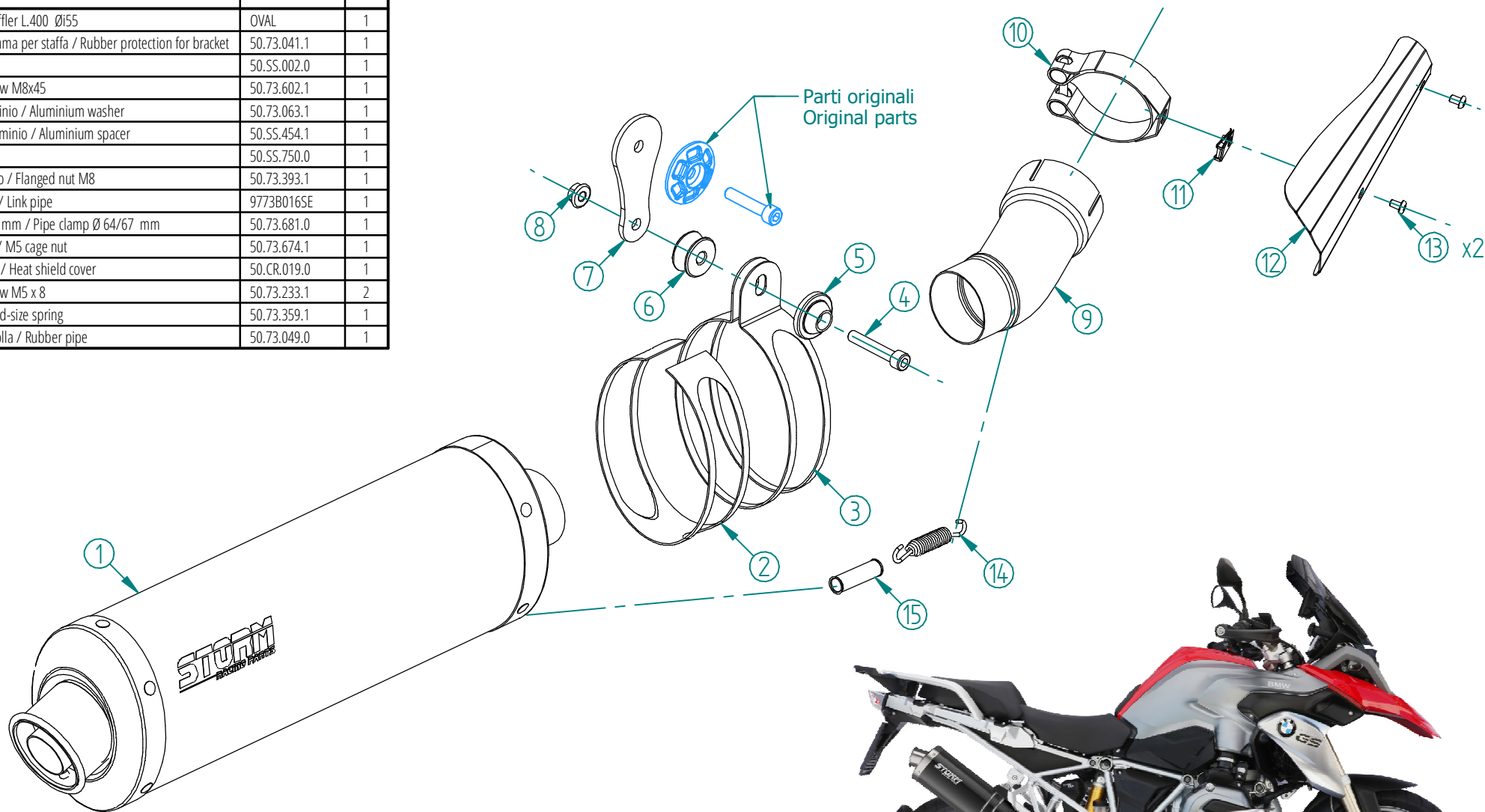


#	DESCRIPTION	PART NUMBER	QTY
1	Silenziatore / Muffler L.400 Ø155	OVAL	1
2	Protezione in gomma per staffa / Rubber protection for bracket	50.73.041.1	1
3	Staffa / Bracket	50.SS.002.0	1
4	Vite M8x45 / Screw M8x45	50.73.602.1	1
5	Rondella in alluminio / Aluminium washer	50.73.063.1	1
6	Distanziale in alluminio / Aluminium spacer	50.SS.454.1	1
7	Staffa / Bracket	50.SS.750.0	1
8	Dado M8 flangiato / Flanged nut M8	50.73.393.1	1
9	Tubo di raccordo / Link pipe	9773B0165E	1
10	Fascetta Ø 64/67 mm / Pipe clamp Ø 64/67 mm	50.73.681.0	1
11	Dado rapido M5 / M5 cage nut	50.73.674.1	1
12	Carter paracalore / Heat shield cover	50.CR.019.0	1
13	Vite M5 x 8 / Screw M5 x 8	50.73.233.1	2
14	Molla media / Mid-size spring	50.73.359.1	1
15	Gommino per molla / Rubber pipe	50.73.049.0	1



APPLICAZIONI / APPLICATIONS

CODICE / CODE	SILENZIATORE / MUFFLER	TUBO / PIPE	FASCETTA / CLAMP
74.B.016.LX2	INOX / ST. STEEL	INOX / ST. STEEL	INOX / ST. STEEL
74.B.016.LX2B	STEEL BLACK		