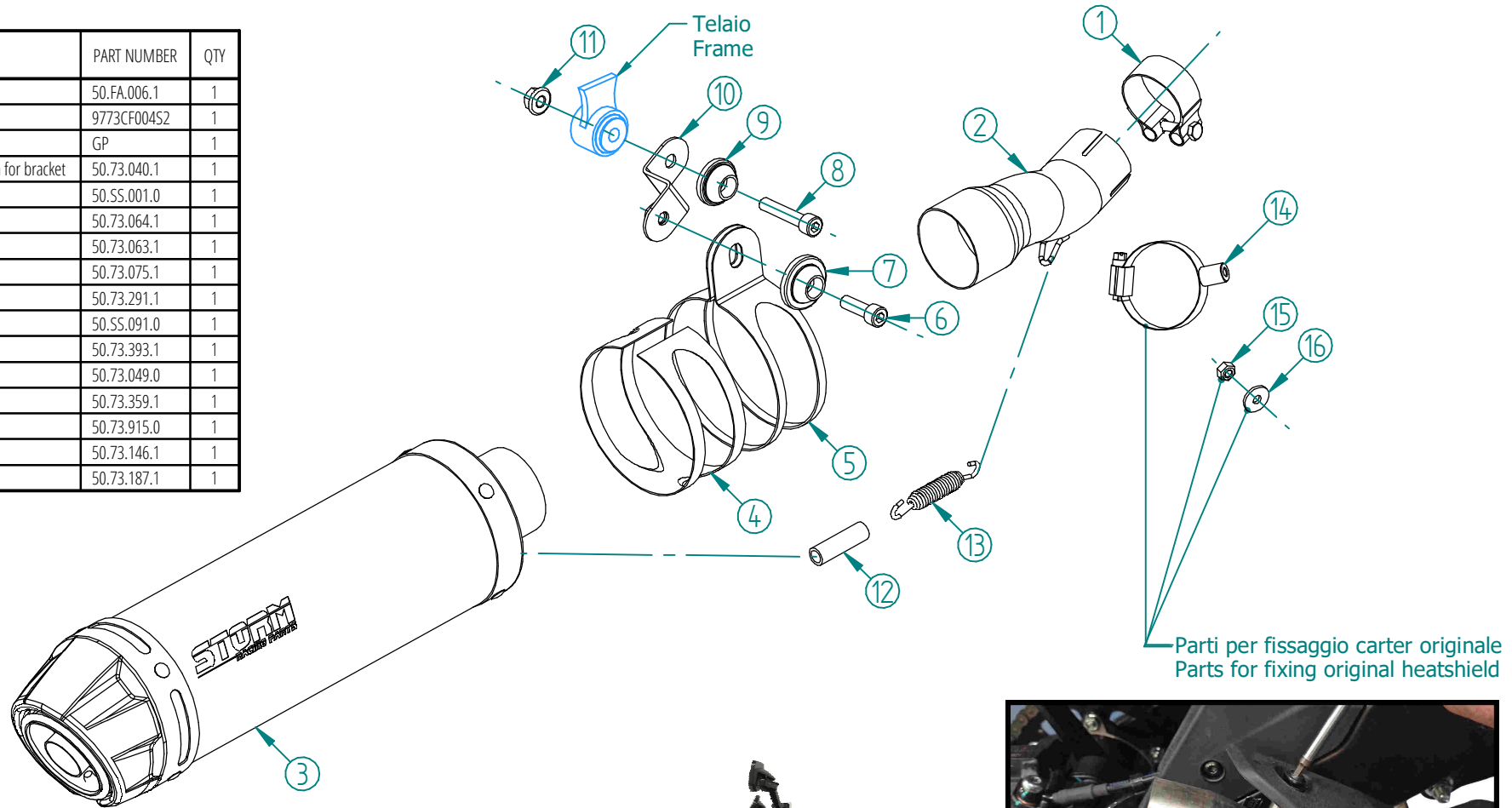
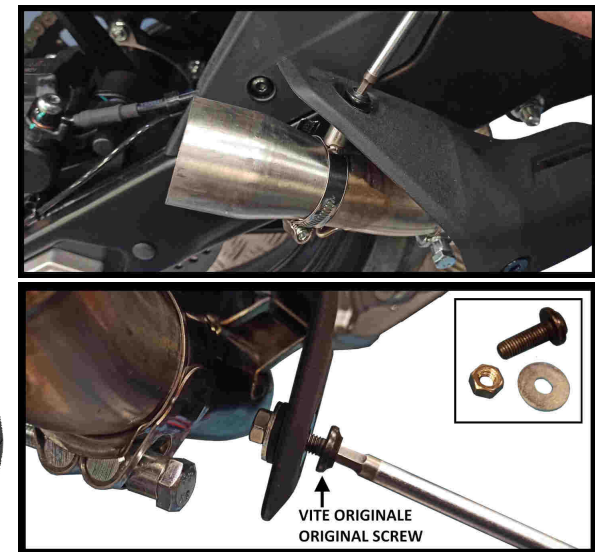


#	DESCRIPTION	PART NUMBER	QTY
1	Fascetta Ø 44/47 mm / Pipe clamp Ø 44/47 mm	50.FA.006.1	1
2	Tubo di raccordo / Link pipe	9773CF00452	1
3	Silenziatore / Muffler - db killer 50.DK.092.0	GP	1
4	Protezione in gomma per staffa / Rubber protection for bracket	50.73.040.1	1
5	Staffa / Bracket	50.SS.001.0	1
6	Vite M8x25 / Screw M8x25	50.73.064.1	1
7	Rondella in alluminio / Aluminium washer	50.73.063.1	1
8	Vite M8x40 / Screw M8x40	50.73.075.1	1
9	Rondella in alluminio / Aluminium washer	50.73.291.1	1
10	Staffa / Bracket	50.SS.091.0	1
11	Dado M8 flangiato / Flanged nut M8	50.73.393.1	1
12	Tubo in gomma per molla / Rubber pipe for spring	50.73.049.0	1
13	Molla media / Mid-size spring	50.73.359.1	1
14	Fascetta con bussola / Pipe clamp with bush	50.73.915.0	1
15	Dado M6 / Nut M6	50.73.146.1	1
16	Rondella M6 / Washer M6	50.73.187.1	1



Parti per fissaggio carter originale
Parts for fixing original heatshield



APPLICAZIONI / APPLICATIONS

CODICE / CODE	SILENZIATORE / MUFFLER	TUBO / PIPE	FASCETTA / CLAMP
74.CF.004.LXSBC	INOX NERO (coppa carbonio) / STEEL BLACK (carbon cap)	INOX / ST. STEEL	INOX / ST. STEEL