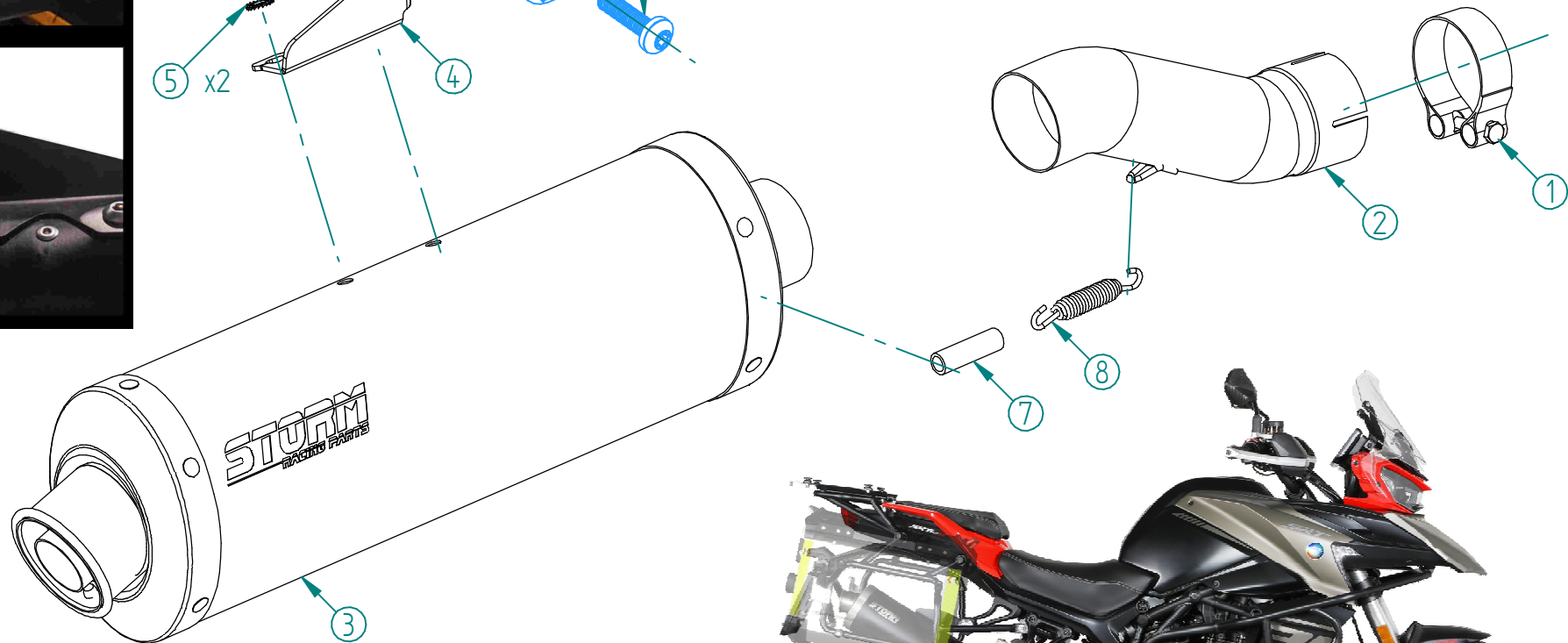


#	DESCRIPTION	PART NUMBER	QTY
1	Fascetta Ø 56/59 mm / Pipe clamp Ø 56/59 mm	50.FA.009.1	1
2	Tubo di raccordo / Link pipe	9773QJ002SRX	1
3	Silenziatore / Muffler L.400 db killer 50.DK.020.0	OVAL Ø155	1
4	Staffa / Bracket	50.SS.1526.0	1
5	Rondella di sicurezza / Safety washer	50.73.604.1	2
6	Vite M8 x 16 / Screw M8 x 16	50.73.098.1	2
7	Tubo in gomma per molla / Rubber pipe for spring	50.73.049.0	1
8	Molla media / Mid-size spring	50.73.359.1	1



APPLICAZIONI / APPLICATIONS		
CODICE / CODE	SILENZIATORE / MUFFLER	TUBO / PIPE
74.QJ.002.LX2B	INOX NERO / STEEL BLACK	INOX / ST. STEEL